

- OPERATION
- SERVICE
- PARTS
- CARE

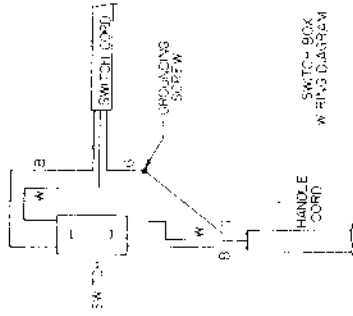
Hako® **Minuteman**®

Early Version

MC-16 830516
MC-19 830511
MC-22 830525



old style



Switch Kit
for old units
use 801929 *

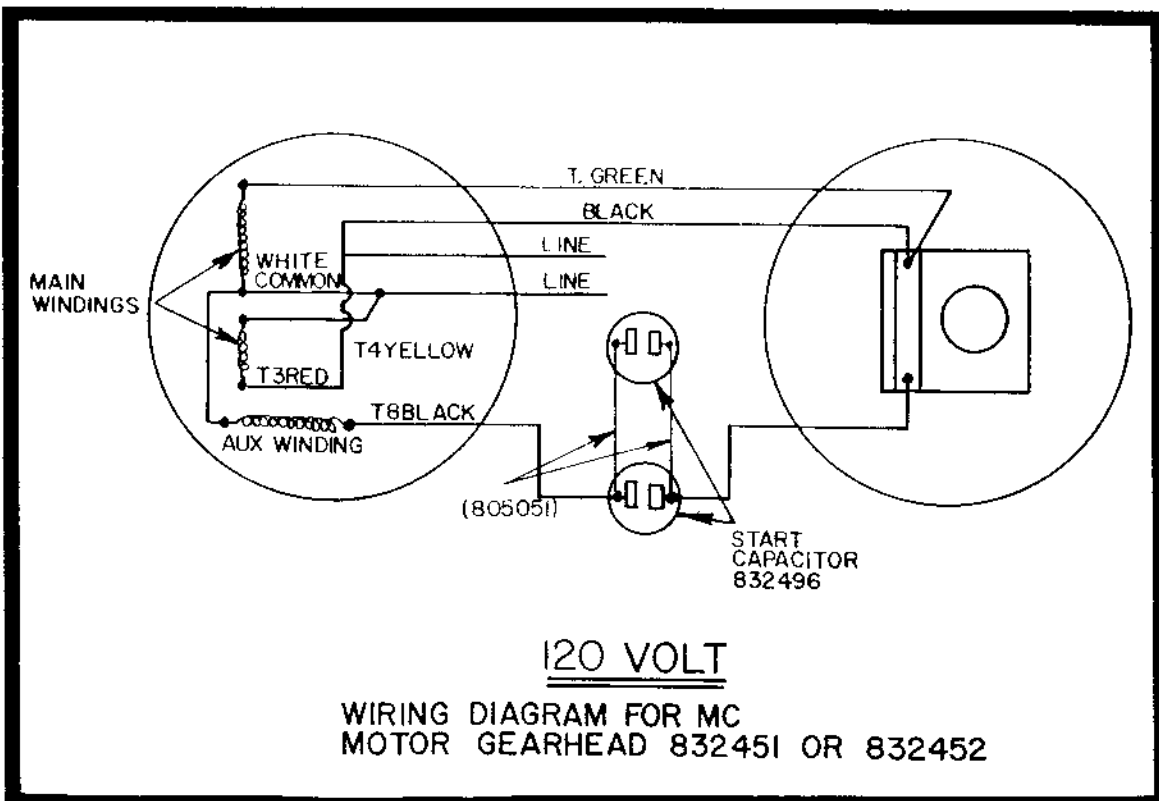
This is a kit that
changes to a button type switch



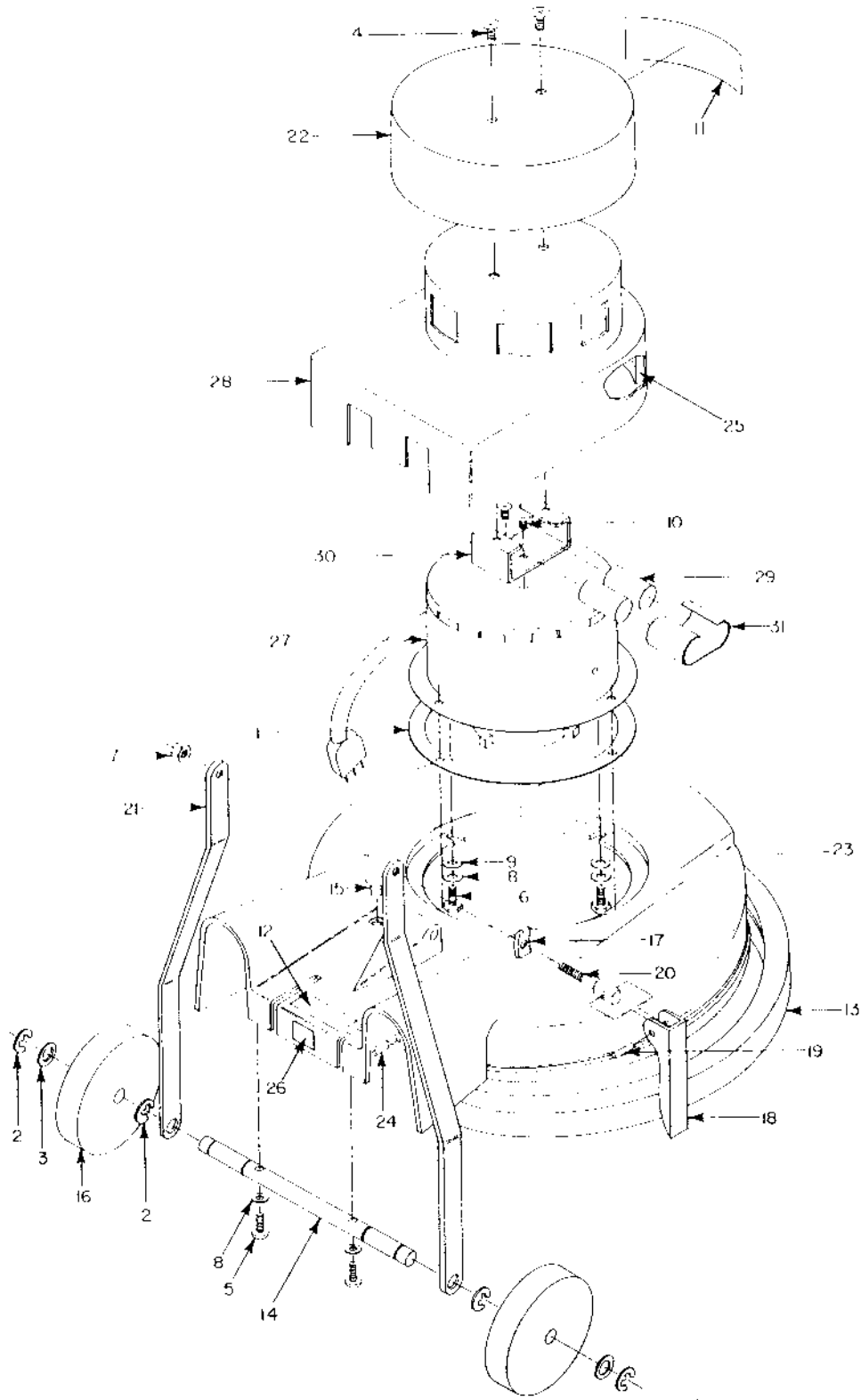
PARTS LIST

ITEM	PART #	QTY.	DESCRIPTION
1	016224	1	Handle Clamp
2	710307	2	SCR-MC 6-32x1.00
3	710328	4	SCR-MC 8-32x.37
4	710754	2	SCR-MC 1/4-20x1.12
5	711359	1	Nut-Acorn 5/16-18
6	711360	2	Nut-Acorn 1/4-20
7	711544	2	WSR-Helical 1/4
8	711545	1	WSR-Helical 5/16
9	712070	2	BLT-SDR 1/4-20x.75x.50
10	762086	2	Grip, Handle
*11	801929	1	Switch Group
12	802458	2	Grip Tube
13	802466	2	Reliever Strain
14	802895	1	Axle
15	803056	1	Handle Tube
16	803379	1	Yoke
17	805822	1	R.H. Switch Lever
18	805823	1	L.H. Switch Lever
19	806021	6	Term, Ring #10
20	807834	1	Insulation Paper 6x4
21	808999	1	Reliever Strain
22	829219	1	Cord Hook Clamp
23	829221	1	Cord Hook
24	829222	1	Switch Box
25	829223	1	Switch Box Cover
26	830522	1	Decal, Warning
27	831598	1	Spring Fxt. .280x5.07
28	831599	1	Insulation
29	832328	1	Cord
30	833469	1	Cord 50'
31	833724	1	Decal Minuteman

*use kit
801929* → *11



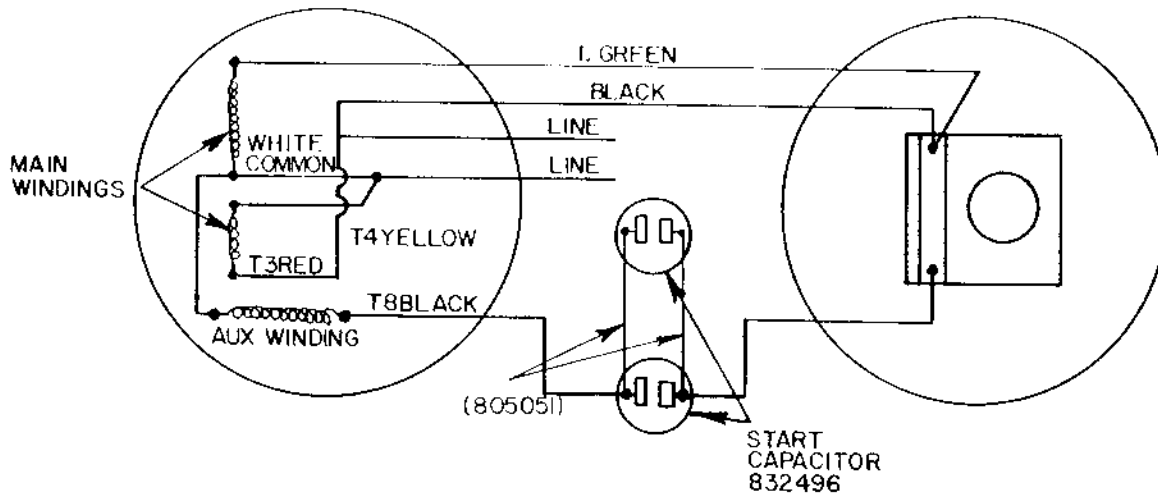
BASE ASSEMBLY



PARTS LIST

ITEM	PART #	QTY.	DESCRIPTION	ITEM	PART #	QTY.	DESCRIPTION
1	016007	1	Gasket Base	25	829489	1	Shokpak Foam
2	700430	4	Ring Snap	27	832451	1	Motor Gearhead MC-16, MC-19, MC-22
3	700435	2	Washer Spring	28	832475	1	Motor Shroud
4	710195	2	SCR-MC 5/16-18 x .50	29	832496	2	Capacitor
5	710381	2	SCR-MC 1/4-20 x .87	30	832499	1	Motor Cover Bracket
6	711206	4	Bit-HH 1/4-20 x .87	31	832727	1	Capacitor Harness
7	711374	1	NUT-NLOC 5/16-18	32	833733	2	Wire Lead
8	711544	6	WSR-Helical 1/4				
9	711575	4	WSR-Flat				
10	712800	2	SCR-RHMS 10-24 x .25				
11	715002	1	Decal				
12	715029	1	Name Plate				
13	803081	1	Bumper MC-22	Optional Accessories			
	803078	1	Bumper MC-16				
	803080	1	Bumper MC-19	MC-16			
14	803609	1	Axle		805542		Polishing Brush
15	804479	1	Plug Rubber		805540		Scrubbing Brush
16	804545	2	Wheel Grey		809022		Drive Brush
17	806555	1	Washer Cam	MC-19			
18	806558	1	Kick Lever		805543		Polishing Brush
19	806561	1	Pin Dowel		805541		Scrubbing Brush
20	807190	1	Bolt Cam		809031		Drive Brush
21	807248	2	Handle Brace	MC-22			
22	829194	1	Motor Top Cover		22308		Polishing Brush
23	830517	1	MC-16 Base		22309		Scrubbing Brush
	829236	1	MC-19 Base		809034		Drive Brush
	830526	1	MC-22 Base				
24	829296	1	Roll Pin 1/4 x 7/8		807898		M-35 Solution Tank

WIRING DIAGRAM



120 VOLT

WIRING DIAGRAM FOR MC
MOTOR GEARHEAD 832451 OR 832452